

BUILD AN ASHWORTH 5-DRAWER DRESSER



MATERIALS:

- 1-1/4" pocket hole screws
- 1/2" brad nails
- 1-1/4" brad nails
- Edge banding for the exposed edges of the plywood, optional
- Four furniture legs or bun feet at least 4" tall plus hardware
- Five sets of 14" drawer slides
- Five drawer pulls

LUMBER:

- 1 – 1×6 at 8'
- 1 – 1×6 at 4'
- 3 – 1×10 at 8'
- One 4' x 4' sheet of 3/4" plywood
- Two sheets of 3/4" plywood
- One half sheet of 1/2" plywood
- One quarter sheet of 1/4" plywood

CUT LIST:

- 2- 3/4" plywood at 18" x 36" – Bottom & Top
- 2 – 3/4" plywood at 17-1/2" x 44" – Sides
- 1 – 3/4" plywood at 33-1/2" x 44" – Back
- 4 – 3/4" plywood at 16-3/4" x 33-1/2" – Shelves
- 1 – 3/4" plywood at 7-1/4" x 16-3/4" – Divider
- 2 – 3/4" plywood at 12-1/2" x 13-7/8" – Small Drawer Bottom
- 4 – 1x6 at 12-1/2" – Small Drawer Sides
- 4 – 1x6 at 15-3/8" – Small Drawer Front & Back
- 3 – 3/4" plywood at 12-1/2" x 31" – Large Drawer Bottom
- 6 – 1x10 at 12-1/2" – Large Drawer Sides
- 6 – 1x10 at 32-1/2" – Large Drawer Front & Back
- 2 – 1/2" plywood at 7" x 13-1/8" – Small Drawer Front Base
- 3 – 1/2" plywood at 11" x 33-1/4" – Large Drawer Front Base
- 4 – 1/4" plywood at 1-1/2" x 7" – Small Drawer Trim
- 4 – 1/4" plywood at 1-1/2" x 13-1/8" – Small Drawer Trim
- 2 – 1/4" plywood at 1-1/2" x 4" – Small Drawer Trim
- 6 – 1/4" plywood at 1-1/2" x 11" – Large Drawer Trim
- 6 – 1/4" plywood at 1-1/2" x 30-1/4" – Large Drawer Trim



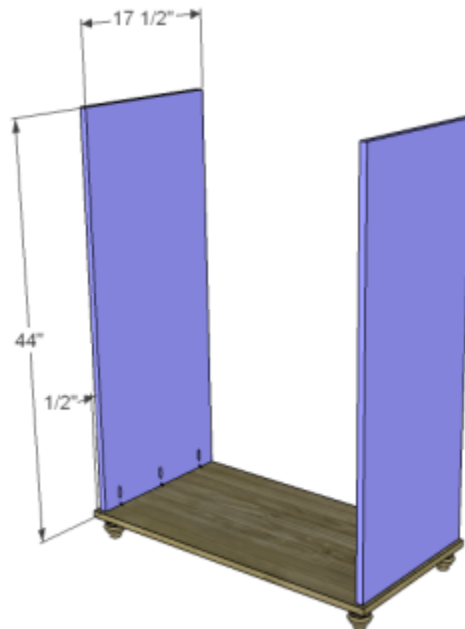
STEP ONE

Edge banding should be applied to all exposed edges of plywood before assembly. Cut the pieces for the bottom. Attach the hardware for the legs to the bottom positioning the legs so they are at least 1" from each edge.



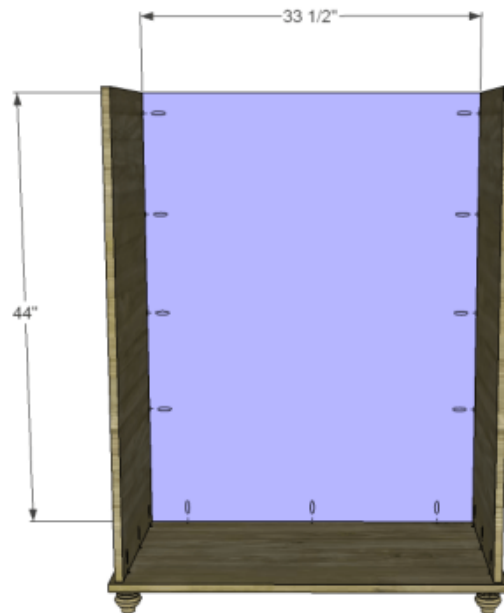
STEP TWO

Cut the pieces for the sides and drill pocket holes at the bottom edge. Position the sides so they are set back 1/2" from the front edge, and 1/2" from the sides. Secure using glue and pocket hole screws.

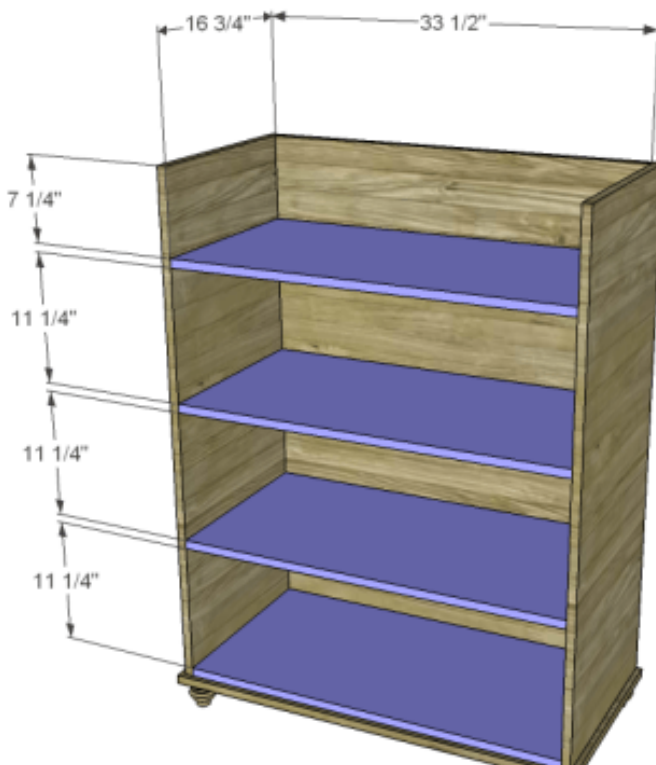


STEP THREE

Cut the piece for the back and drill pocket holes in the side edges as well as the bottom edge. Attach to the sides and bottom using glue and pocket hole screws.

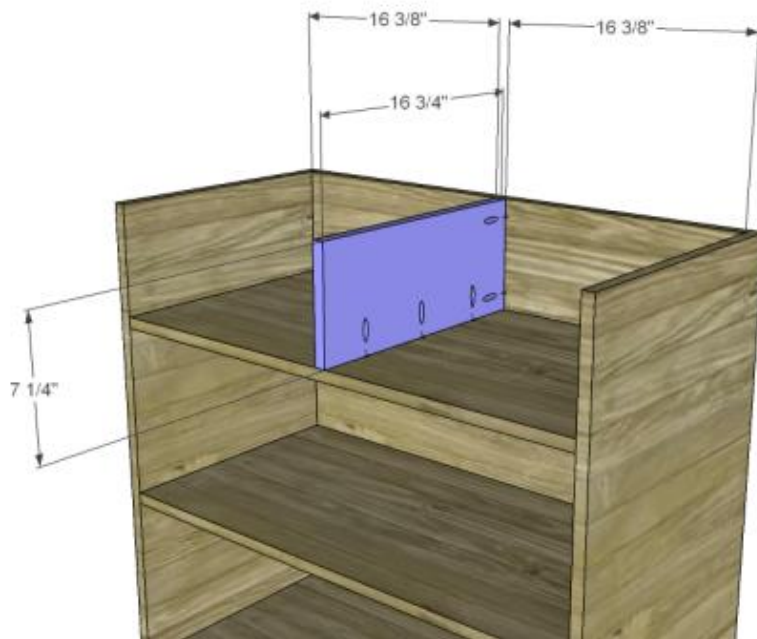


STEP FOUR



Cut the pieces for the shelves. Drill pocket holes in the sides and back edge of three shelves. Position the fourth shelf on the bottom as shown in the drawing. Secure with glue and brad nails. Attach the other shelves as shown using glue and pocket hole screws.

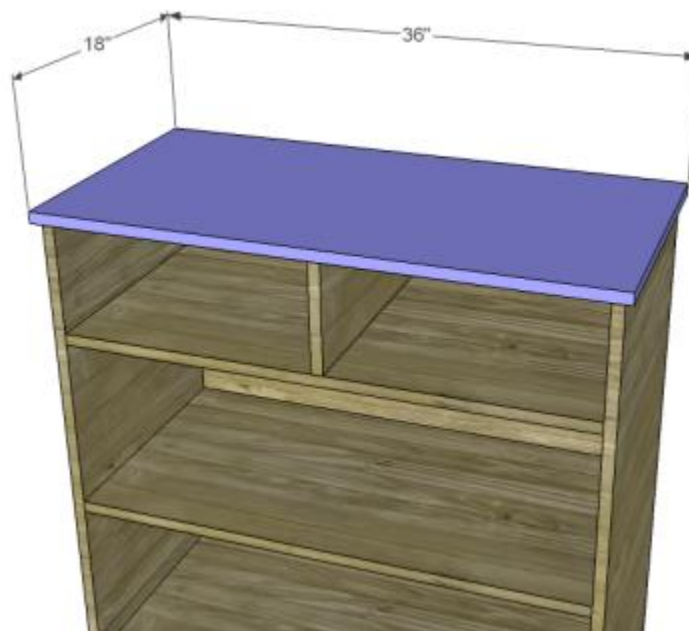
STEP FIVE



Cut the piece for the divider and drill pocket holes as shown. Position the divider on the top shelf and secure with glue and pocket hole screws.

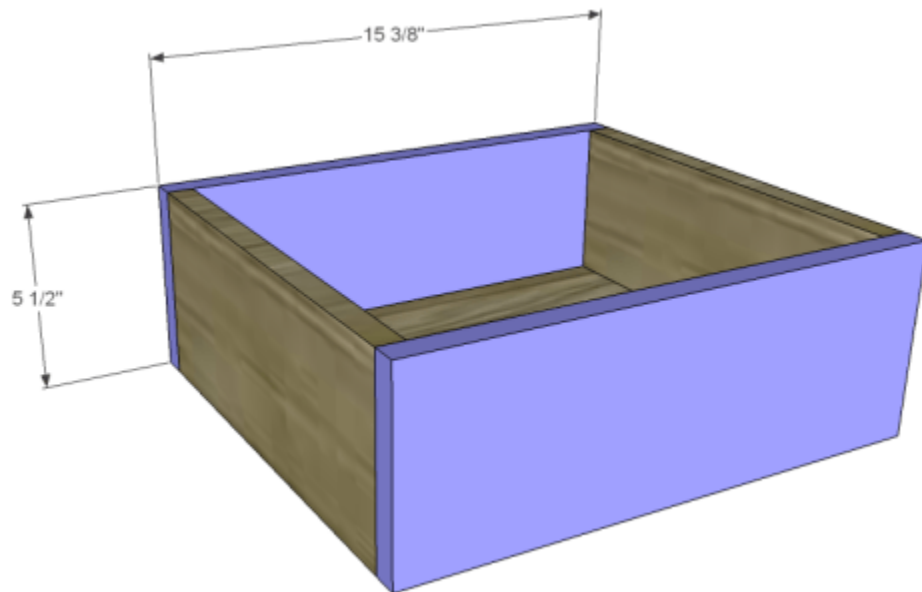
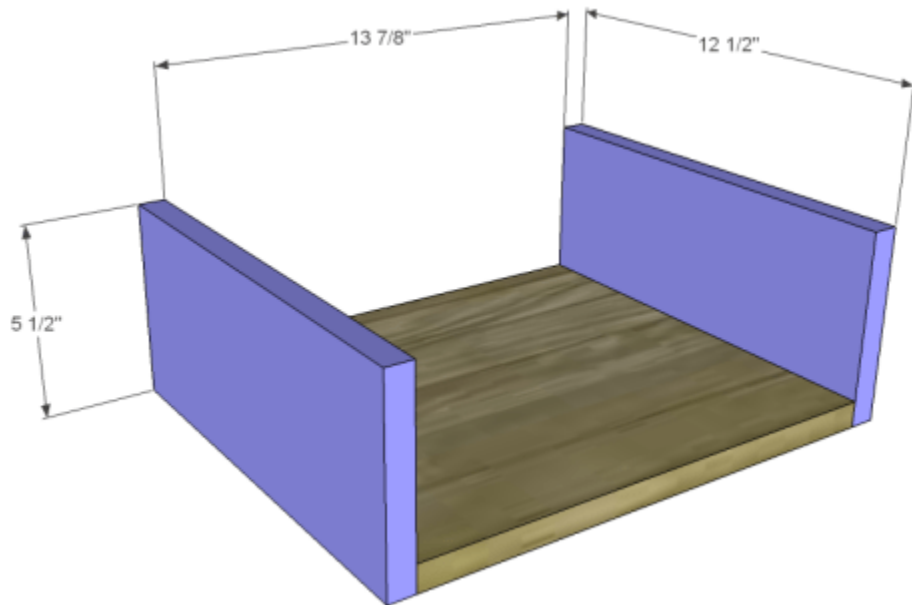
STEP SIX

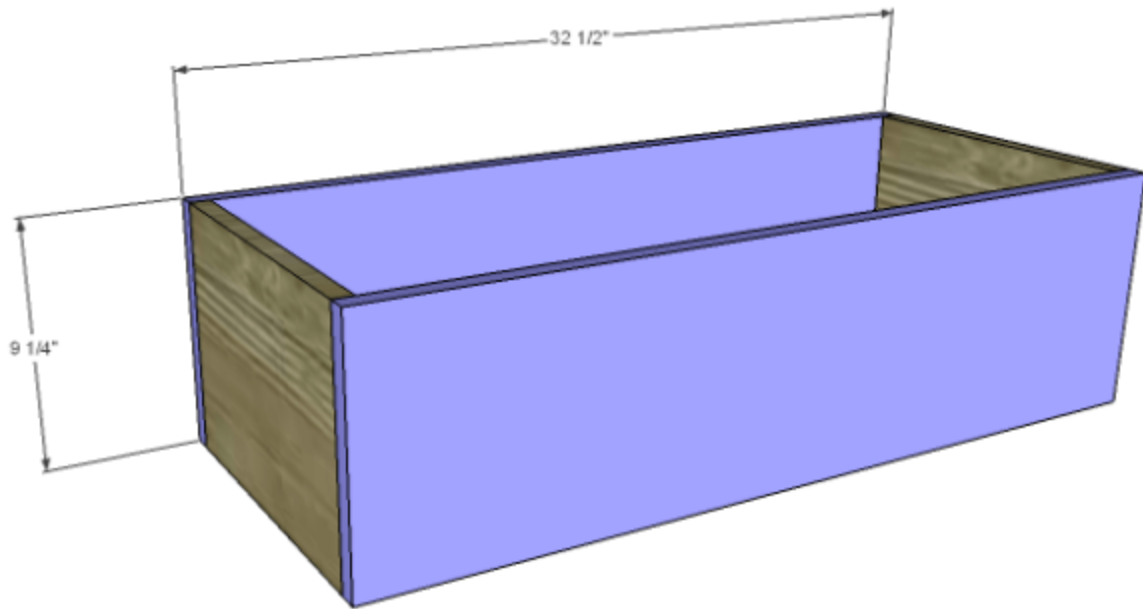
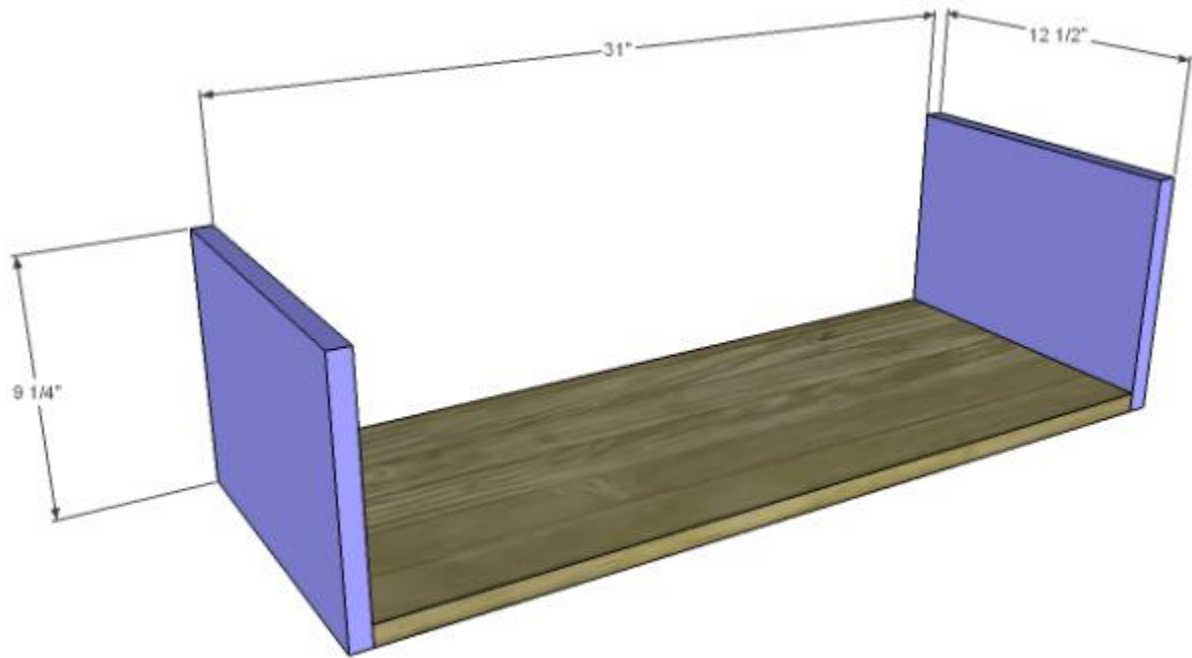
Cut the piece for the top. The front and sides will overhang by 1/2". Secure with glue and brad nails through the top into the sides and back.



STEP SEVEN

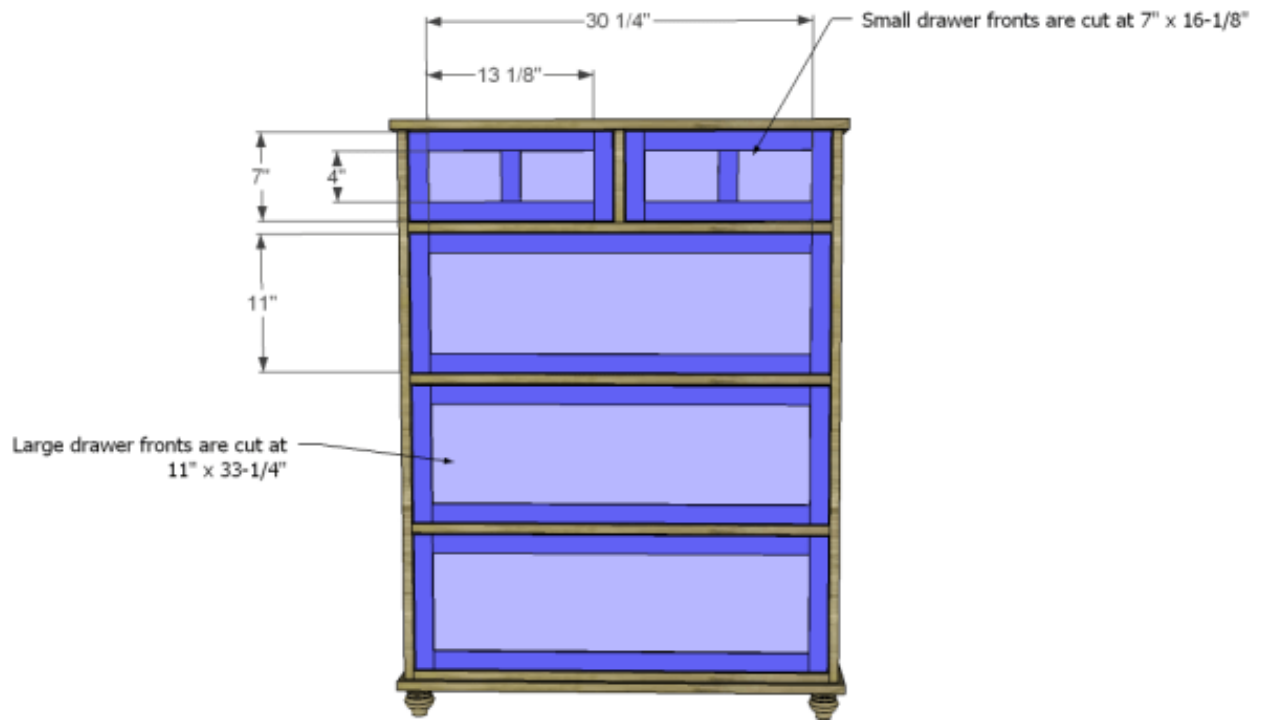
Cut the pieces for the drawer boxes. Drill pocket holes in all four edges of the bottom pieces as well as each end of the side pieces. Attach the sides to the bottom using glue and pocket hole screws, then attach the front and back in the same manner. Install the drawer slides according to the manufacturer's instructions.





STEP EIGHT

Cut the pieces for the drawer front bases as well as the trim pieces. Position the trim pieces and secure using glue and 1/2" brad nails. Clamp until dry. There will be a 1/8" gap around all sides of the drawer fronts. Install the drawer pulls.



Finish as desired.