

build a brecken dresser



DESIGNS BY STUDIO C

MATERIALS:

- 1-1/4" pocket hole screws
- 2-1/2" pocket hole screws
- 1-1/4" brad nails
- 1-3/4" brad nails
- Edge banding
- 3 sets of 16" Drawer slides
- Cabinet pulls
- Wood glue
- Sandpaper (100, 150, 220 grits)
- Finishing supplies (primer & paint, or stain, sealer)

LUMBER:

- 8 – 1/4" x 2 craft boards at 3'
- 3 – 1x6 at 8'
- 2 – 2x2 at 8'
- 1 – 4' x 8' sheet of 1/4" plywood
- 1 – 2' x 4' sheet of 1/2" plywood
- 1 – 4' x 8' sheet of 3/4" plywood

CUT LIST:

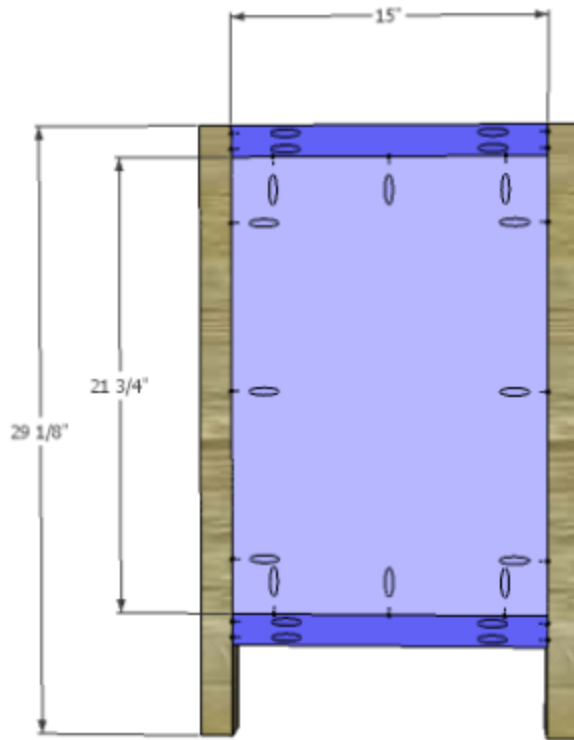
- 4 – 2x2 at 29-1/8" – Legs
- 4 – 2x2 at 15" – Side Framing
- 2 – 3/4" plywood at 15" x 21-3/4" – Side Panels
- 6 – 2x2 at 32" – Front & Back Stretchers
- 1 – 1/4" plywood at 24-3/4" x 33-1/2" – Back
- 1 – 3/4" plywood at 18-1/4" x 35" – Top
- 6 – 1x6 at 16" – Drawer Box Sides
- 6 – 1x6 at 31" – Drawer Box Front & Back
- 3 – 1/4" plywood at 15" x 31-1/2" – Drawer Bottom
- 3 – 1/2" plywood at 6" x 31-3/4" – Drawer Front Base
- 12 – 1/4" x 2" craft board at 6" – Drawer Front Trim
- 12 – 1/4" x 2" craft board at 15-7/8" – Drawer Front Trim



STEP ONE

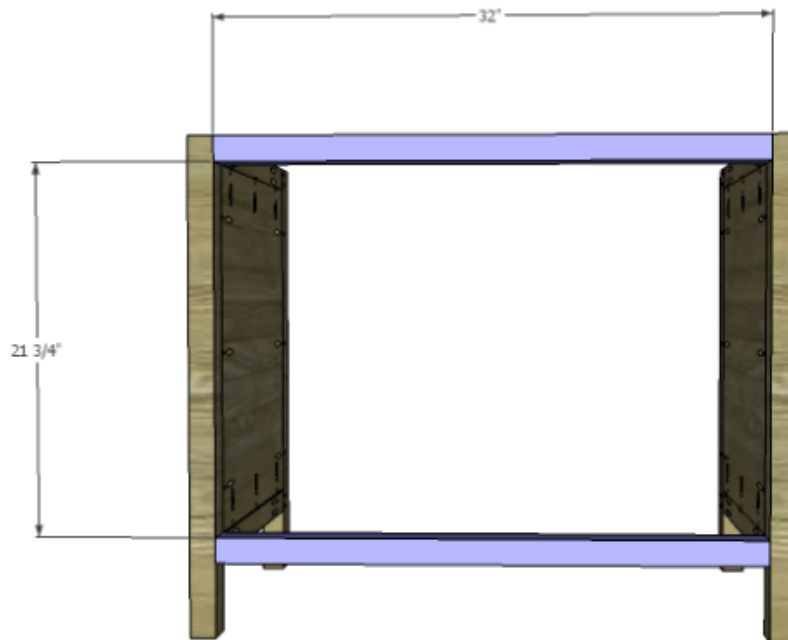
Cut the pieces for the legs and the side framing. With the pocket hole jig set for 1-1/2" material, drill pocket holes in each end. Secure the framing pieces to the legs using glue and 2-1/2" pocket hole screws.

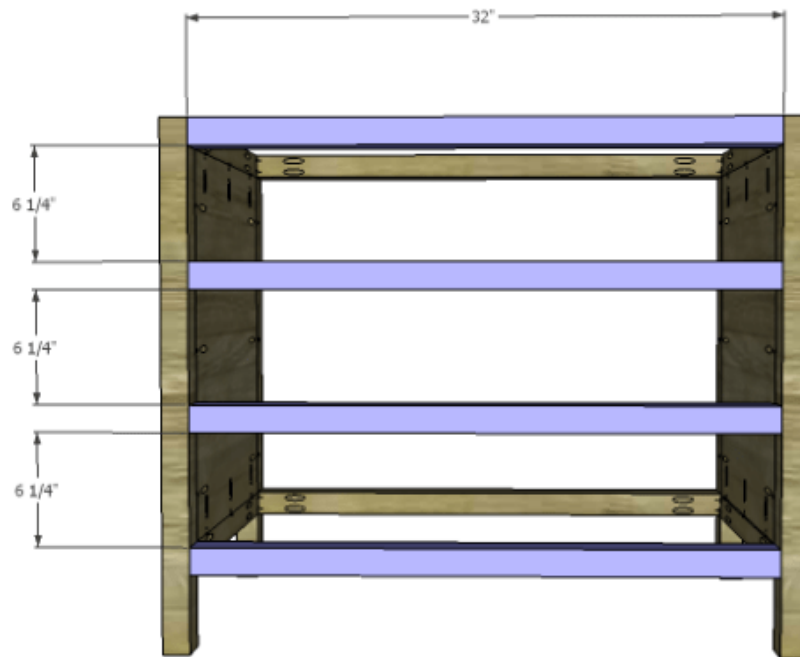
Cut the pieces for the side panels. Set the pocket hole jig for 3/4" material and drill pocket holes in all four edges. Secure the panels to the side frames using glue and 1-1/4" pocket hole screws. The back face of the panel will be flush with the back face of the frame.



STEP TWO

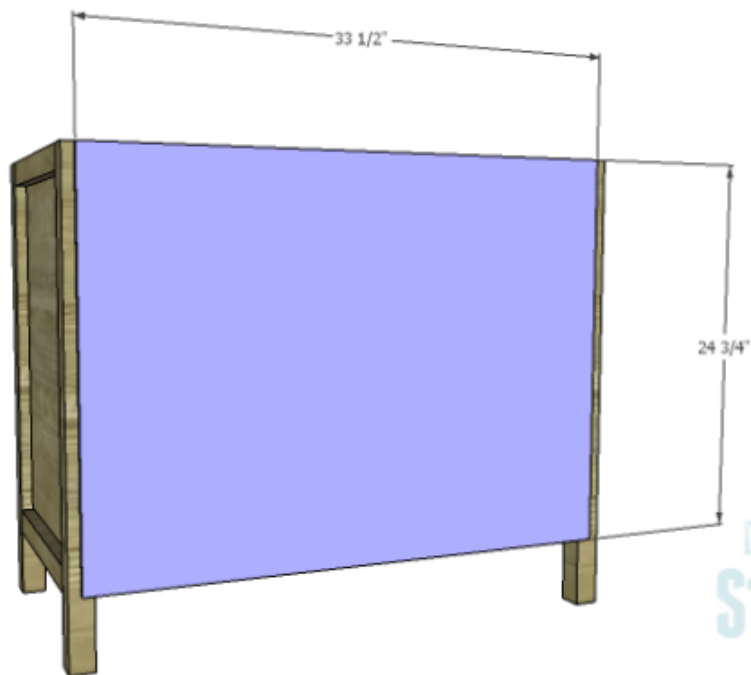
Cut the pieces for the stretchers. Set the pocket hole jig for 1-1/2" material and drill pocket holes in each end. Secure the stretchers as indicated in the drawings using glue and 2-1/2" pocket hole screws.





STEP THREE

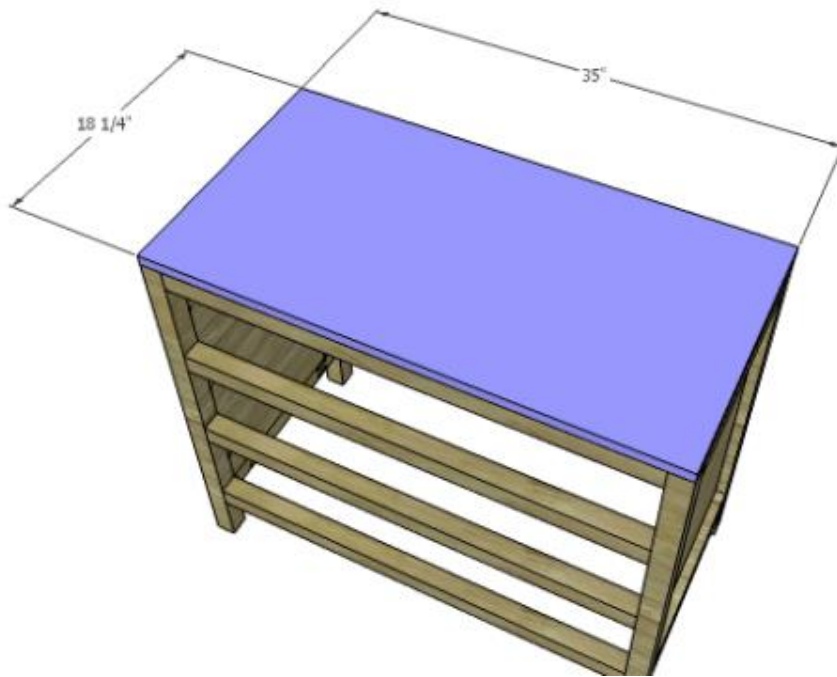
Cut the piece for the back panel. Position the back panel so the top is flush with the top of the back legs securing in place using glue and 1-1/4" brad nails.



DESIGNS BY
STUDIO C

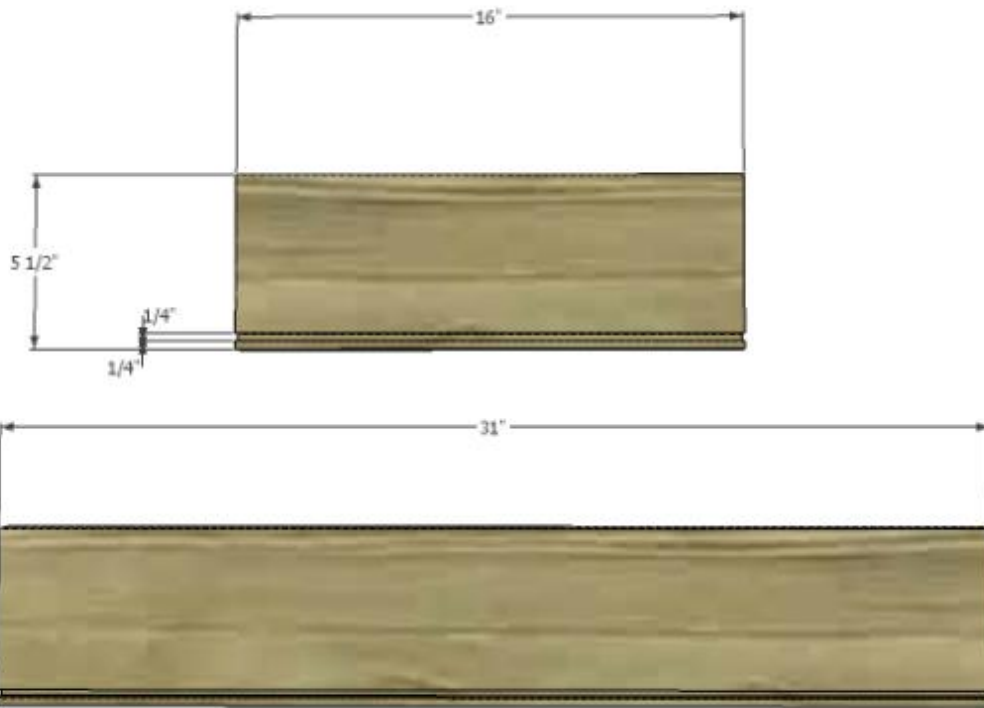
STEP FOUR

Cut the piece for the top. If using edge banding, it will be applied to the exposed edges of the top prior to attaching the top to the cabinet. Position the top on the cabinet so that the sides and front are flush with the legs, framing, and front stretchers (the top will overhang the back panel) securing in place using glue and 1-3/4" brad nails.



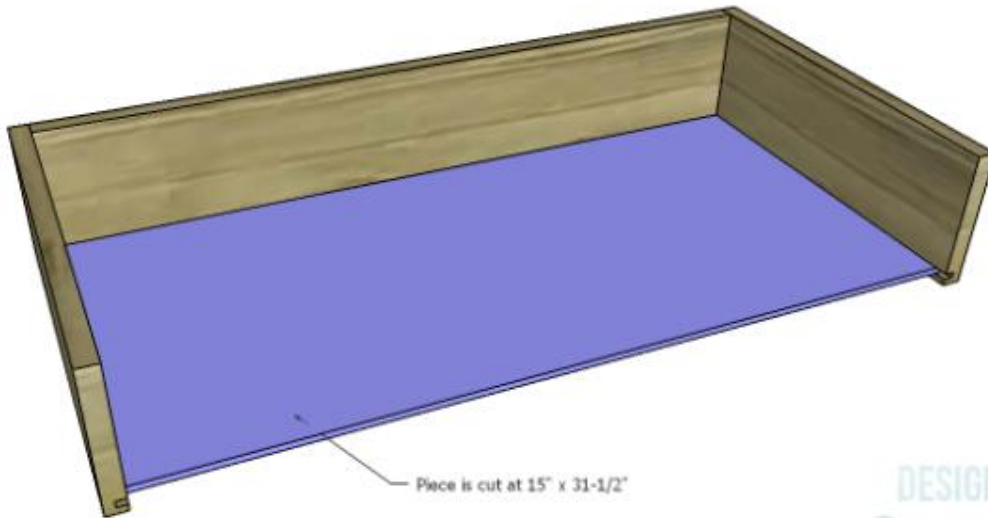
STEP FIVE

Cut the pieces for the drawer box sides, front, and back. Cut the groove in the bottom edge of each piece at 1/4" wide by 1/4" deep using a table saw or a router and a straight bit. Set the pocket hole jig for 3/4" material and drill pocket holes in each end of the drawer box front and back pieces on the opposite side as the groove. Make sure that the pocket holes will not interfere with the groove. Secure the sides to the back using glue and 1-1/4" pocket hole screws.



STEP SIX

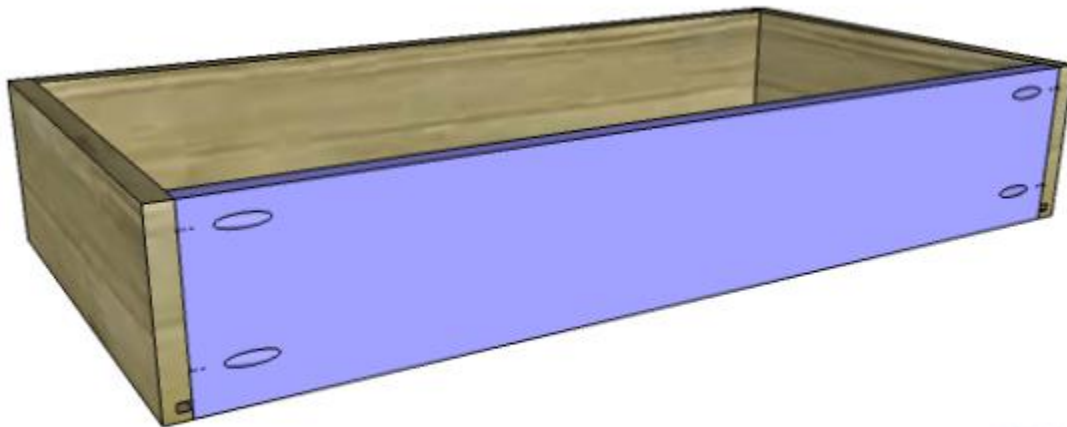
Cut the piece for the drawer bottom. Slide the bottom into the grooves in the sides and back. The piece should fit snugly but not too tight.



DESIGNS BY
STUDIO C

STEP SEVEN

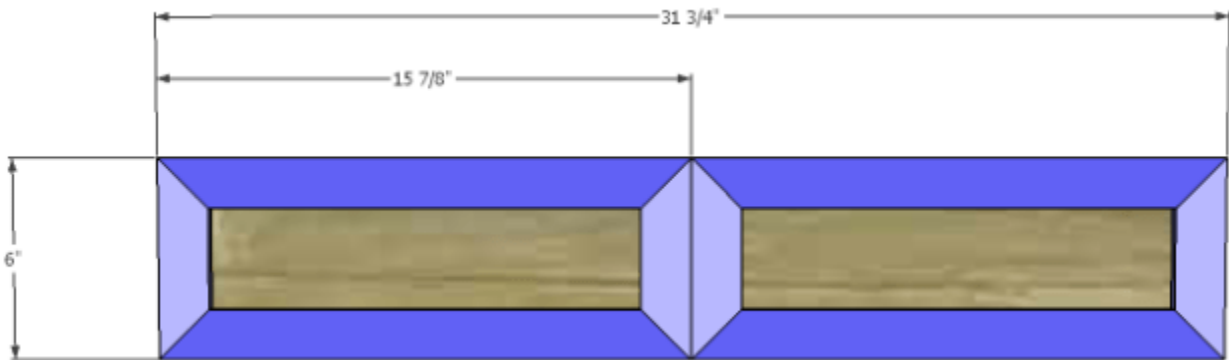
Insert the front edge of the drawer box bottom into the groove on the drawer box front. Secure the drawer box front to the drawer box sides using glue and 1-1/4" pocket hole screws. Install the drawer slides according to the manufacturer's installation instructions locating them 3/4" back from the front edge of the sides.



DESIGNS BY
STUDIO C

STEP EIGHT

Cut the pieces for the drawer fronts. Cut the $\frac{1}{4}$ " detail pieces with 45° miters at each end. Evenly spread glue on the back side of each piece and clamp the pieces in place until dry. Mark the position for the drawer pulls and drill the holes. Shim the drawer front in the opening – there will be a $\frac{1}{8}$ " gap around all sides – then drive screws through the holes for the drawer pulls into the drawer box. Open the drawer, and secure the drawer front using countersunk $1\text{-}\frac{1}{4}$ " screws from the inside. Remove the screws from the holes for the drawer pull then finish drilling the holes. Install the drawer pull.



There will be a $\frac{1}{8}$ " gap around all sides of the drawer fronts



Finish as desired.