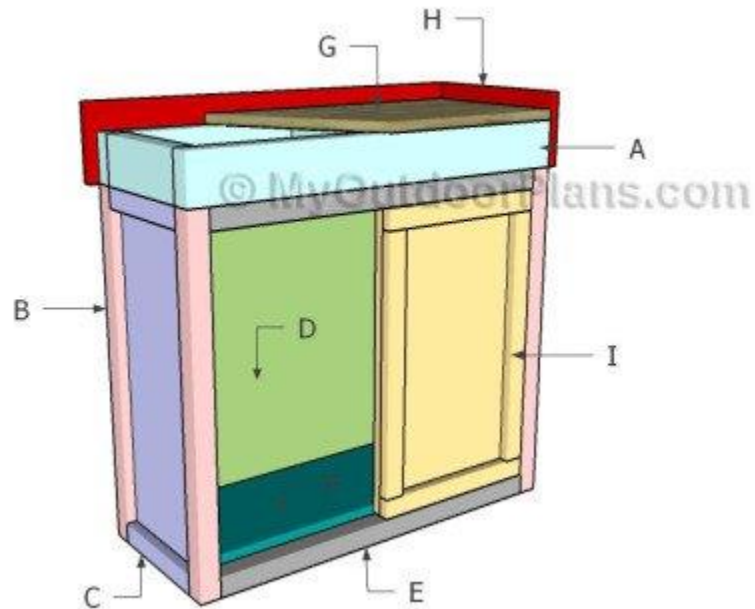
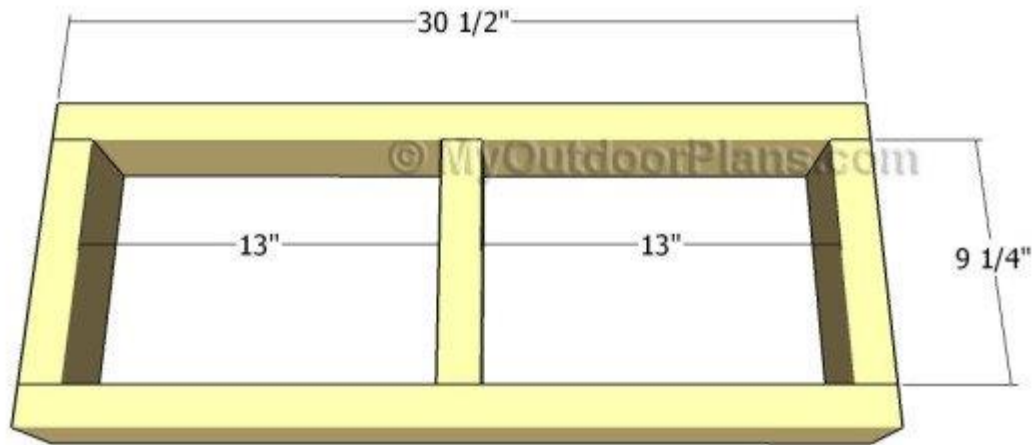


Aquarium Stand Plans



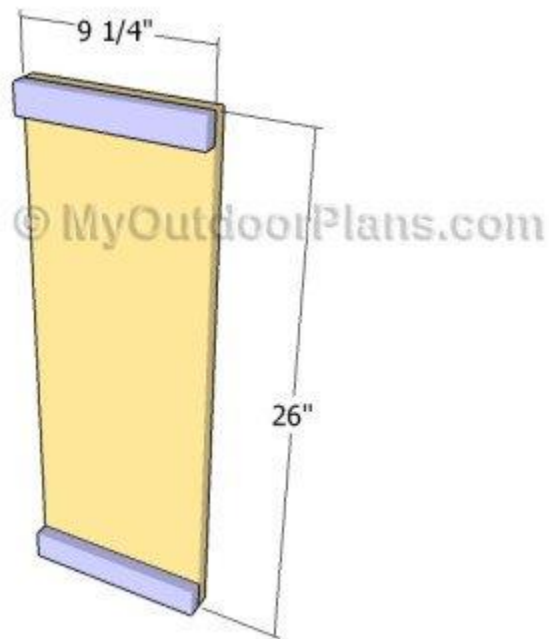
Materials:

- A – Frame – 4 pieces of 2x4 Lumber – 1 @ 20 ½" long, 3 @ 9 ¼" long
- B – Legs – 4 pieces of 2x2 Lumber – 26" long
- C – Sides – 4 pieces of 1x2 Lumber – 9 ¼" long, 2 pieces of ¾" plywood – 9 ¼" x 26"
- D – Front Face – 2 pieces of 1x2 Lumber – 27 ½" long, 1 piece of ¾" plywood 26" x 27 ½" long
- E – Supports – 2 pieces of 2x2 Lumber – 27 ½" long
- F – Bottom – 1 piece of ¾" plywood – 9 ¼" x 27 ½" long
- G – Top – 1 piece of ¾" plywood – 12 ¼" x 30 ½" long
- H – Trims - 4 pieces of 1x6 Lumber – 2 @ 12 ¼" long, 2 @ 32" long

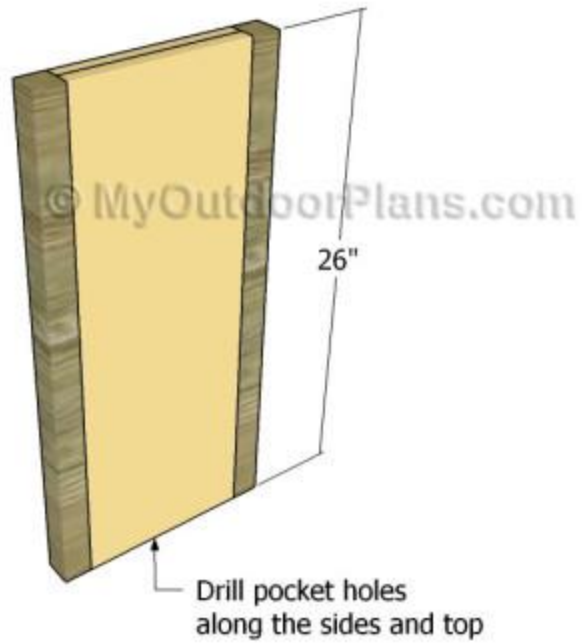


Building the top frame

The first step of the project is to build the frame for the tabletop. As you can easily notice in the diagram, use 2x4 lumber for the components. Cut the components at the right dimensions and drill pocket holes at both ends of the short components. Make sure the corners are square and insert 2 1/2" screws to lock them together tightly.

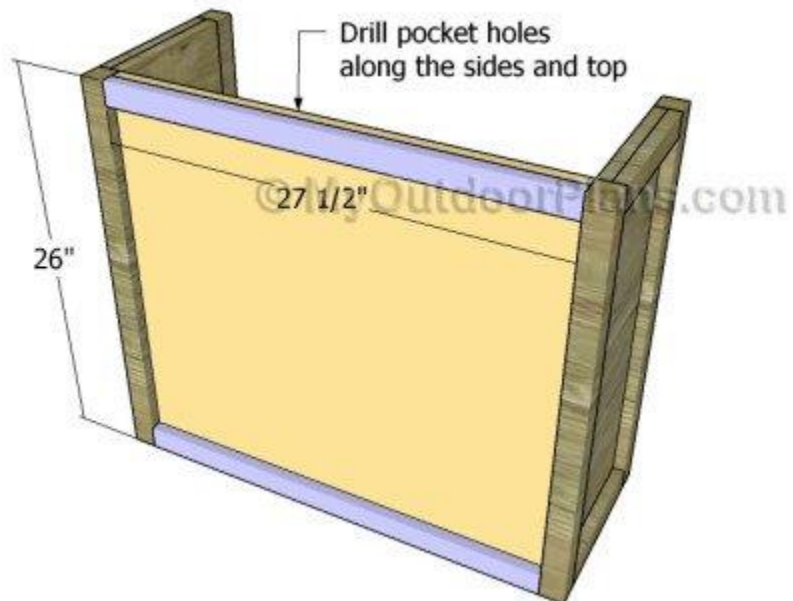


Build the side panels out of 3/4" plywood. Attach the 1x2 cleats to the top and bottom of the panel, as described in the diagram. Add glue to the joints and insert 1 1/4" finishing nails to get the job done in a professional manner.



Attaching the corner legs

Drill pocket holes along the sides and top edges of the plywood panels and secure them to the 2x2 legs using 1 1/4" screws. Add glue to the joints and leave no gaps between the components.



Attaching the front face

Build the front panel out of 3/4" plywood and the supports out of 1x2 lumber. Use glue and 1 1/4" brad nails to lock the supports to the panel. Drill pocket holes along the sides and top edges. Fit the front panel to the side panels and insert 1 1/4" screws to lock them together tightly. Make sure the corners are square before inserting the screws.



Continue the project by fitting the 2x2 supports to the face of the fish tank stand. Drill pocket holes at both ends of the supports and secure them to the sides using 2 1/2" screws. Make sure the corners are right-angled.



Continue the woodworking project by attaching the frame to the top of the structure. Align the edges with attention, making sure they are perfectly flush. Insert 2 1/2" screws through the top of the stand into the 2x4 frame. Leave no gaps between the components and add glue to enhance the rigidity of the structure.



Fitting the top

Use 3/4" plywood to build the top of the aquarium stand. Smooth the edges with sandpaper and attach it to the frame using glue and 1 1/4" brad nails.



Use 1x6 lumber to build the trims for the top of the stand. Attach the trims to the frame of the stand using 1 1/4" brad nails and glue. Make sure the corners are square and leave no gaps between the components.

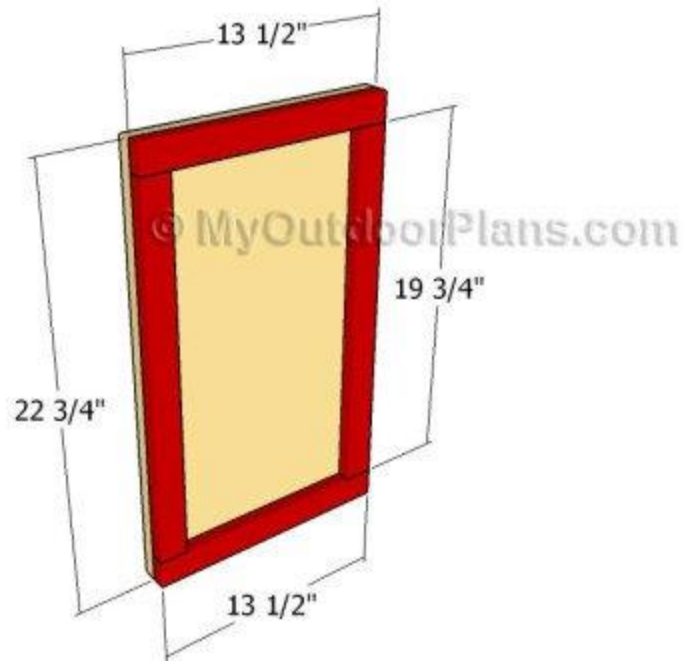


Build the cleats out of 1x2 lumber. Drill pocket holes at both ends of the components and secure them to the structure using 1 1/4" screws. Check if the corners are right-angled before inserting the screws.



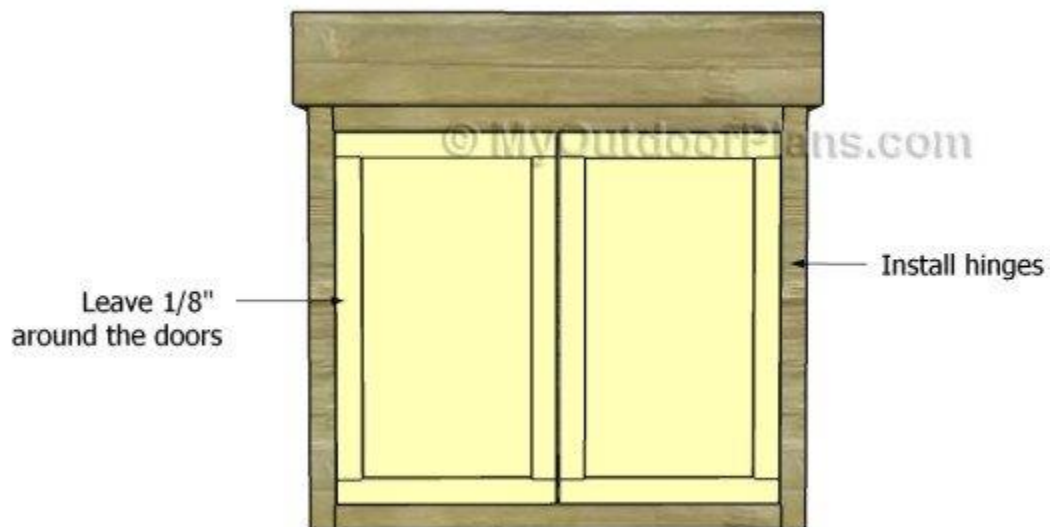
Attaching the bottom

Build the bottom of the stand out of 3/4" plywood. Smooth the edges with 120-grit sandpaper and fit the sheet to the bottom cleats. Insert a few 1 1/4" brad nails to lock the sheet to the cleats.



Building the doors

Build the doors panels out of 3/4" plywood and the frames out of 1x2 lumber. Cut the components at the right dimensions and secure them to the plywood panels using 1 1/4" brad nails and glue. Leave no gaps between the components and make sure the edges are perfectly flush.



Fitting the doors

Fit the doors to the opening and secure them to the side using hinges. Leave 1/8" around the doors and install a magnet door stop. Fit nice handles and then take care of the finishing details.



Fish Tank Stand Plans

One of the last steps of the woodworking project is to take care of the finishing touches. Therefore, fill the pilot holes with wood putty and smooth the surface with 120-grit sandpaper.